

M. Faw

SCHEMATIC DIAGRAM

FOR

**MODEL MAC 1700
STEREO FM RECEIVER**

**McINTOSH AUDIO COMPANY
2 CHAMBERS STREET
BINGHAMTON, N. Y. 13903**

Unless otherwise specified, resistance values are in ohms, 1/2 watt, and 10% tolerance. Capacitance values smaller than 1 are in microfarads (MF); values greater than 1 are in picofarads (PF). Inductors are in microhenries.

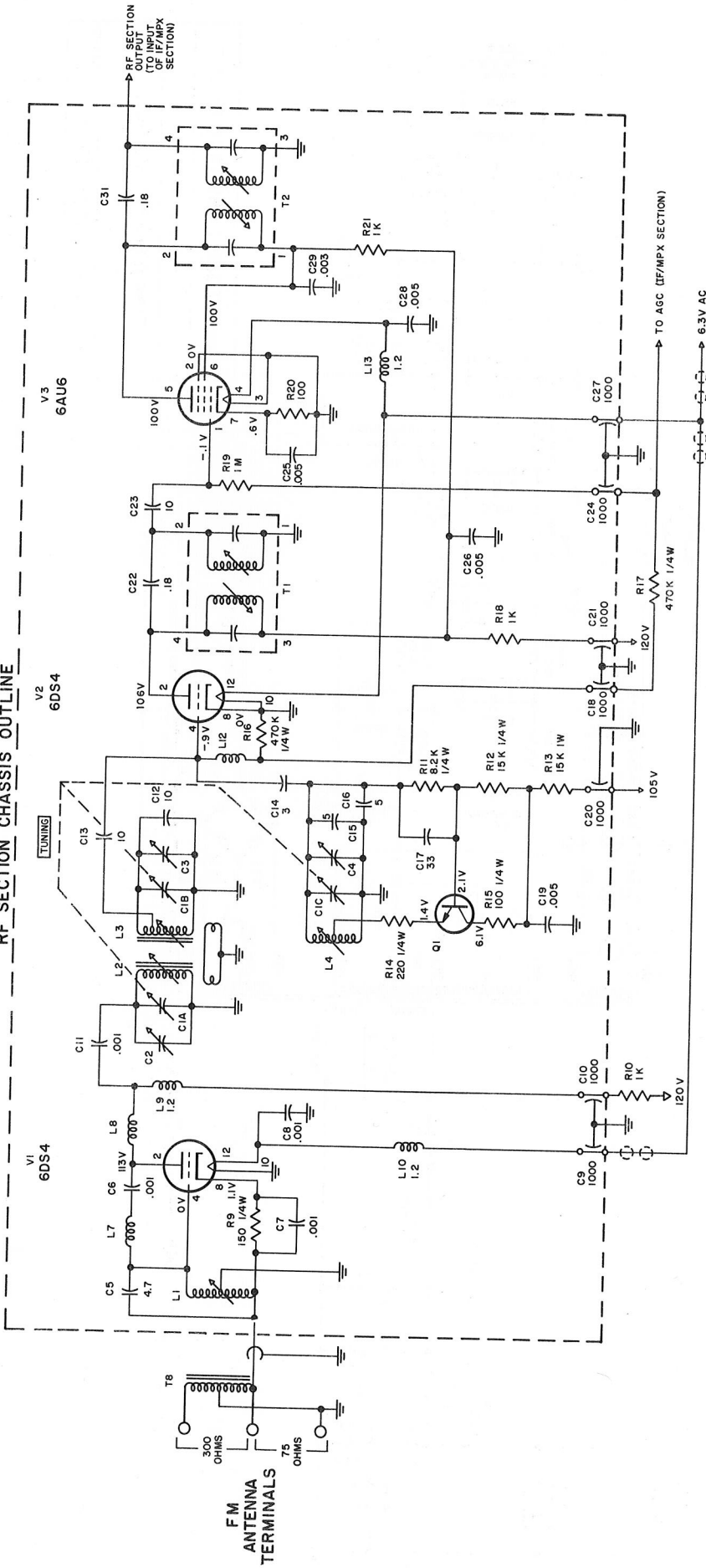
Rotary switches are viewed from the front with the knob in the extreme counterclockwise position. The terminal numbering of rotary switches is for reference only.

All voltages are measured under the following conditions:

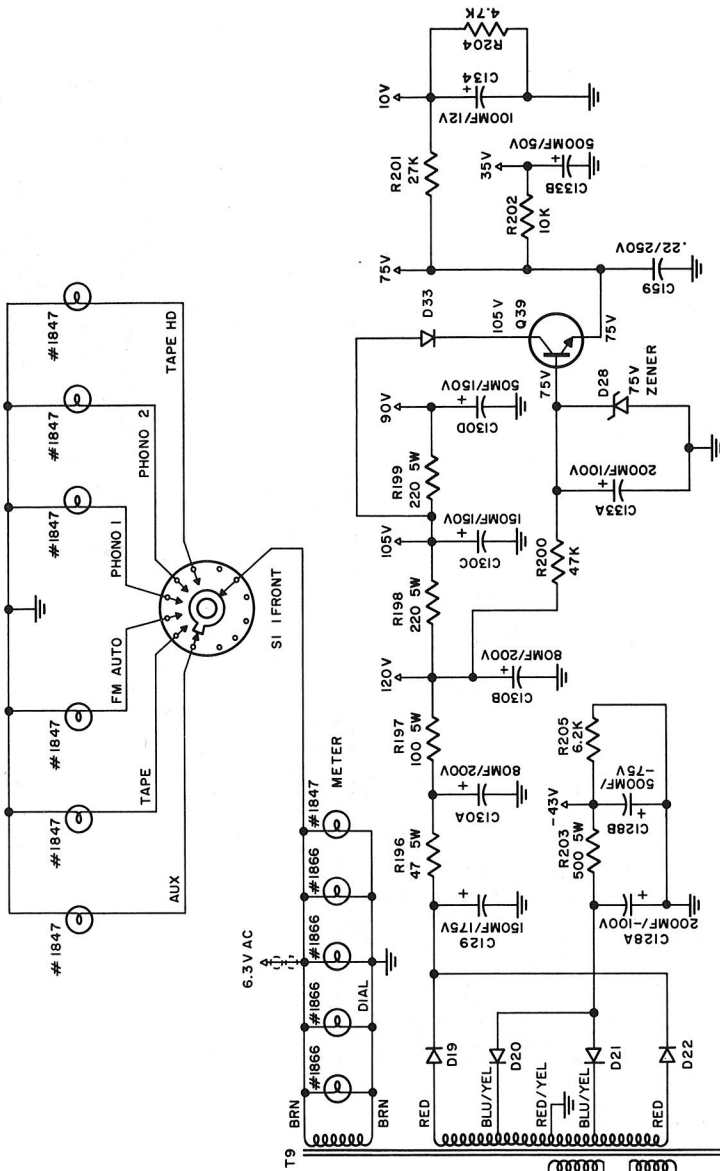
1. Use of an 11 megohm input impedance VTVM voltmeter.
2. All voltages $\pm 10\%$ with respect to ground.
3. No signal at antenna or other input terminals.
4. AC input at 117 volts, 50/60 cycles.
5. Front panel controls at:

Mode Selector	Stereo
Input Selector	Aux
Volume Control	Max
Balance Control	Zero
Tone Controls	Flat
Muting	Out
Filter	Out
Loudness	Out
Tape Monitor	Out

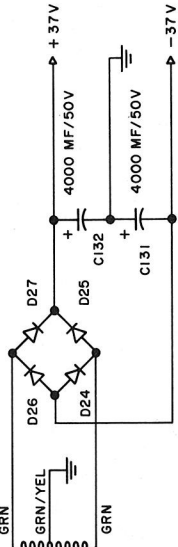
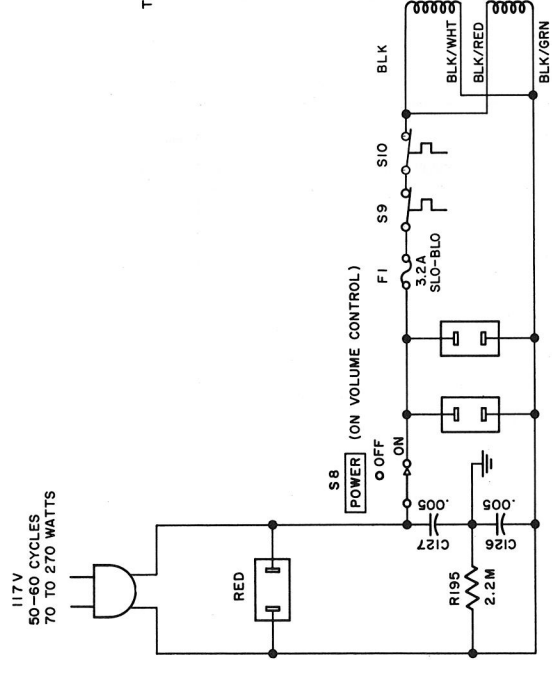
RF SECTION CHASSIS OUTLINE

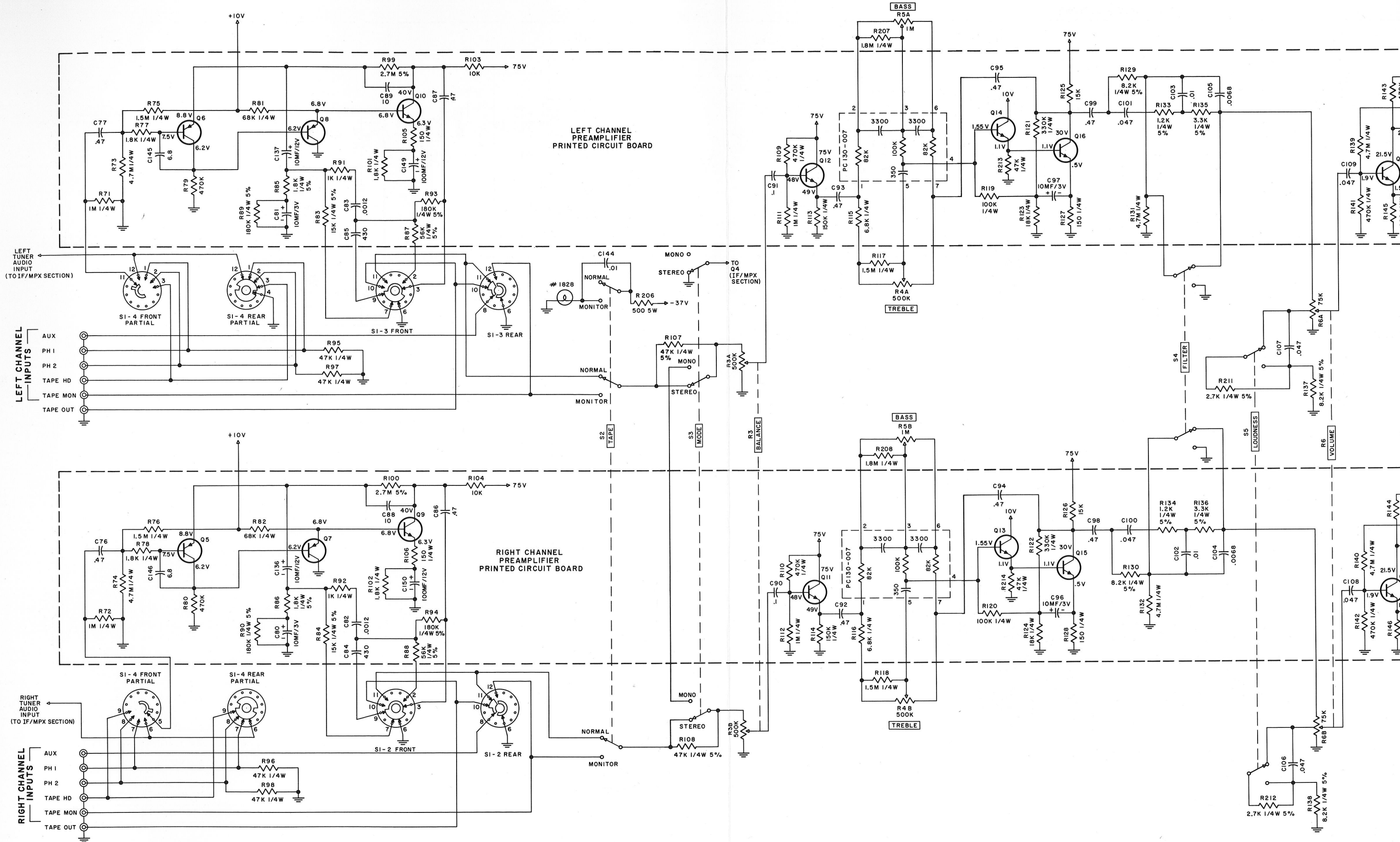


McINTOSH LABORATORY INC.	
SCHEMATIC DIAGRAM	
RF SECTION	
MODEL MAC 1700RECEIVER	
REVISION	SCHEMATIC NO. 154-233

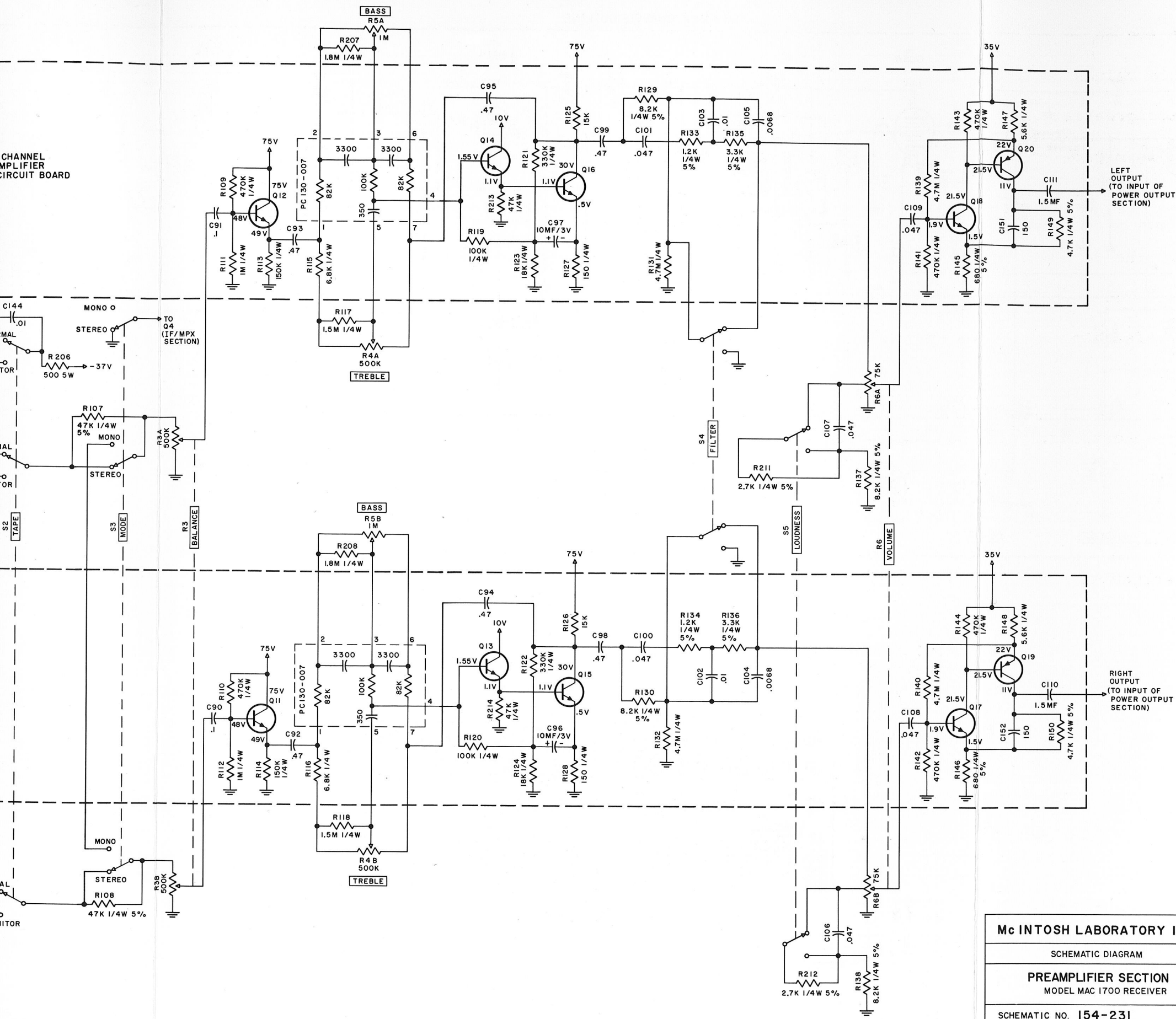


McINTOSH LABORATORY INC.	
SCHEMATIC DIAGRAM	
POWER SUPPLY SECTION	
MODEL MAC 1700 RECEIVER	
REVISION	SCHMATIC NO. 154-235



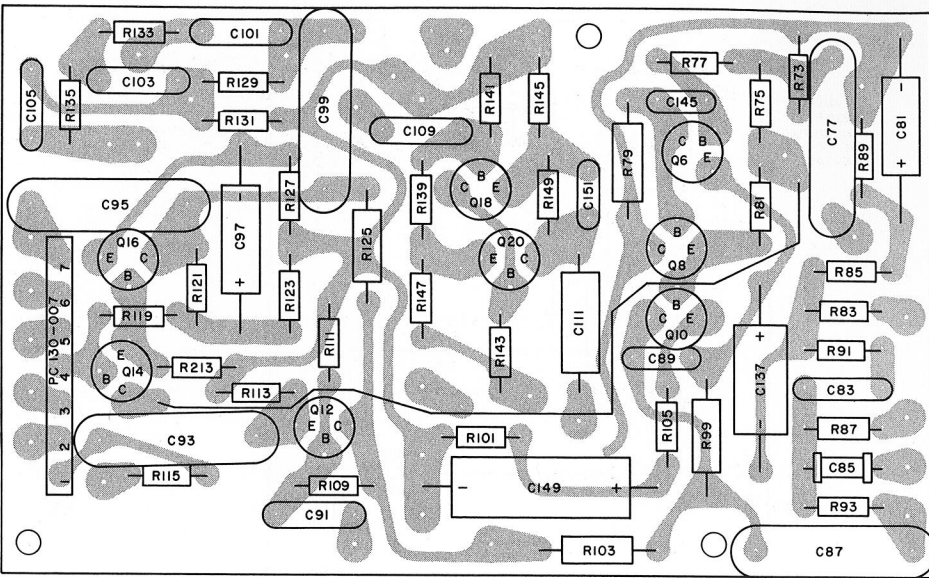


CHANNEL AMPLIFIER CIRCUIT BOARD

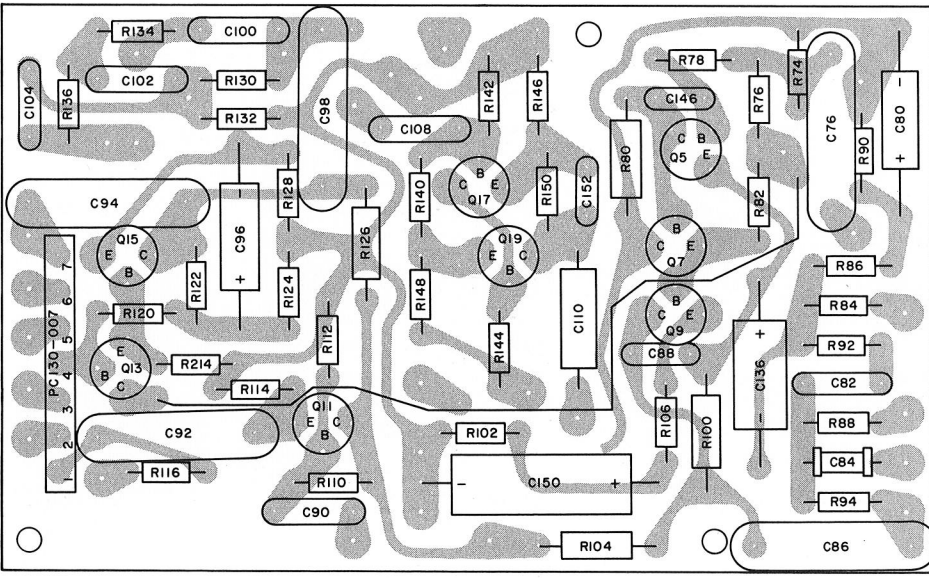


LEFT OUTPUT (TO INPUT OF POWER OUTPUT SECTION)

RIGHT OUTPUT (TO INPUT OF POWER OUTPUT SECTION)



LEFT CHANNEL PREAMPLIFIER PRINTED CIRCUIT BOARD



RIGHT CHANNEL PREAMPLIFIER PRINTED CIRCUIT BOARD

McINTOSH LABORATORY INC.

SCHEMATIC DIAGRAM

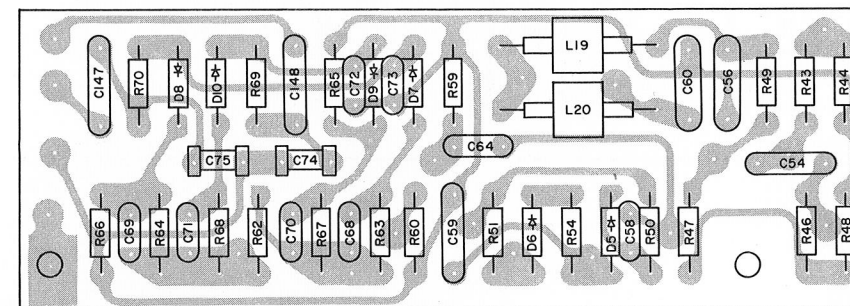
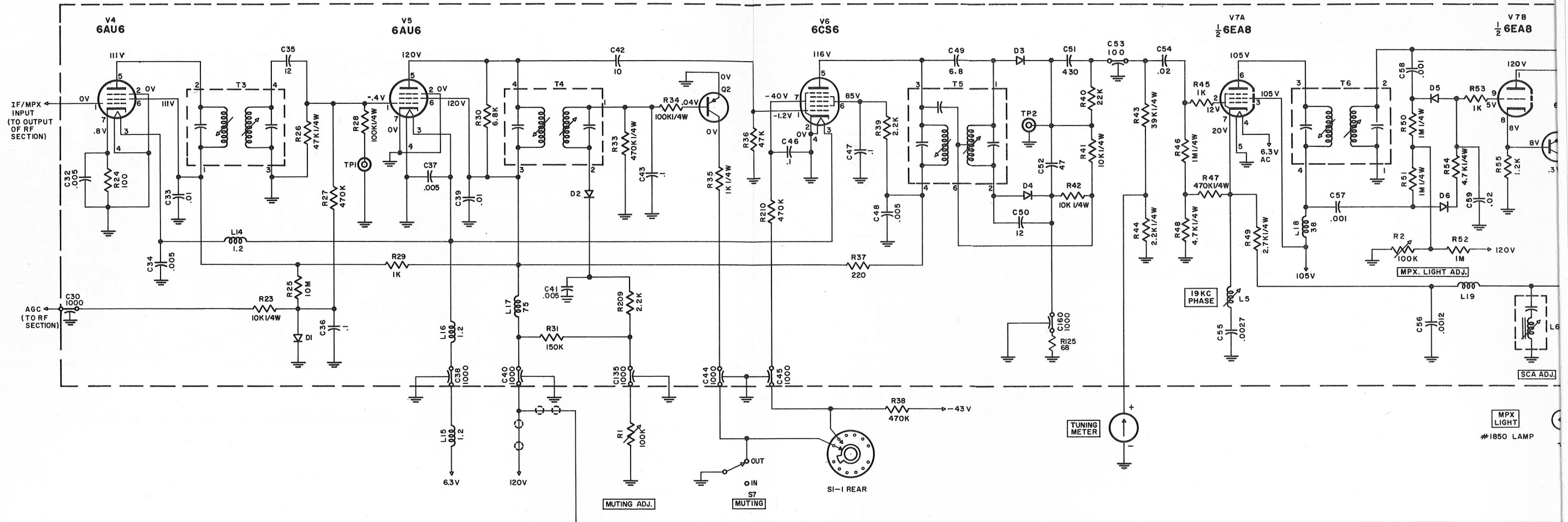
PREAMPLIFIER SECTION

MODEL MAC 1700 RECEIVER

SCHEMATIC NO. 154-231

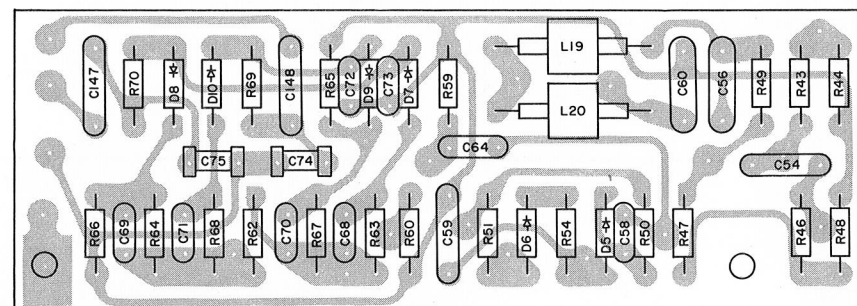
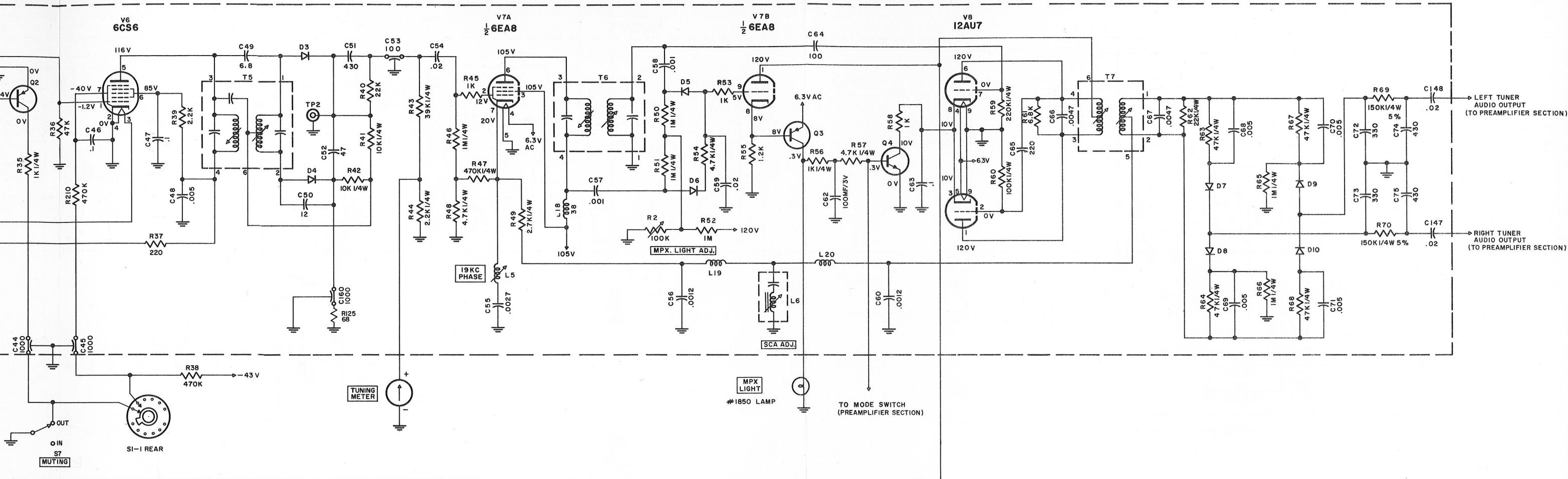
REVISION

IF / MPX CHASSIS OUTLINE



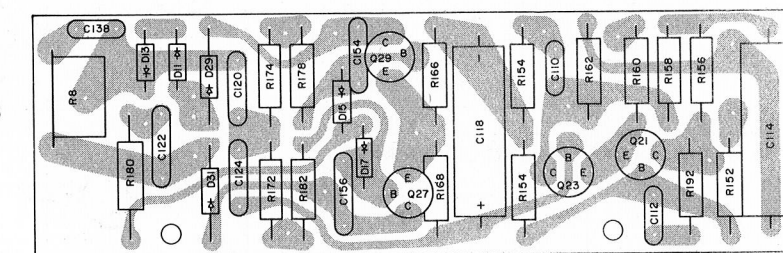
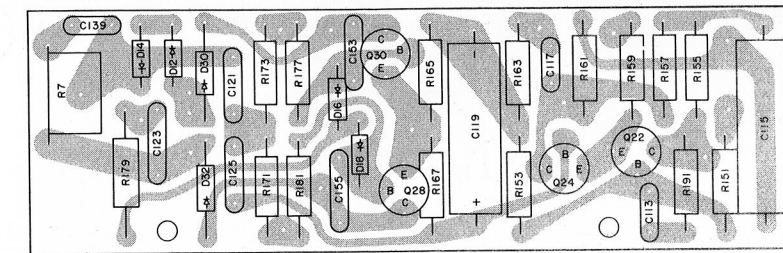
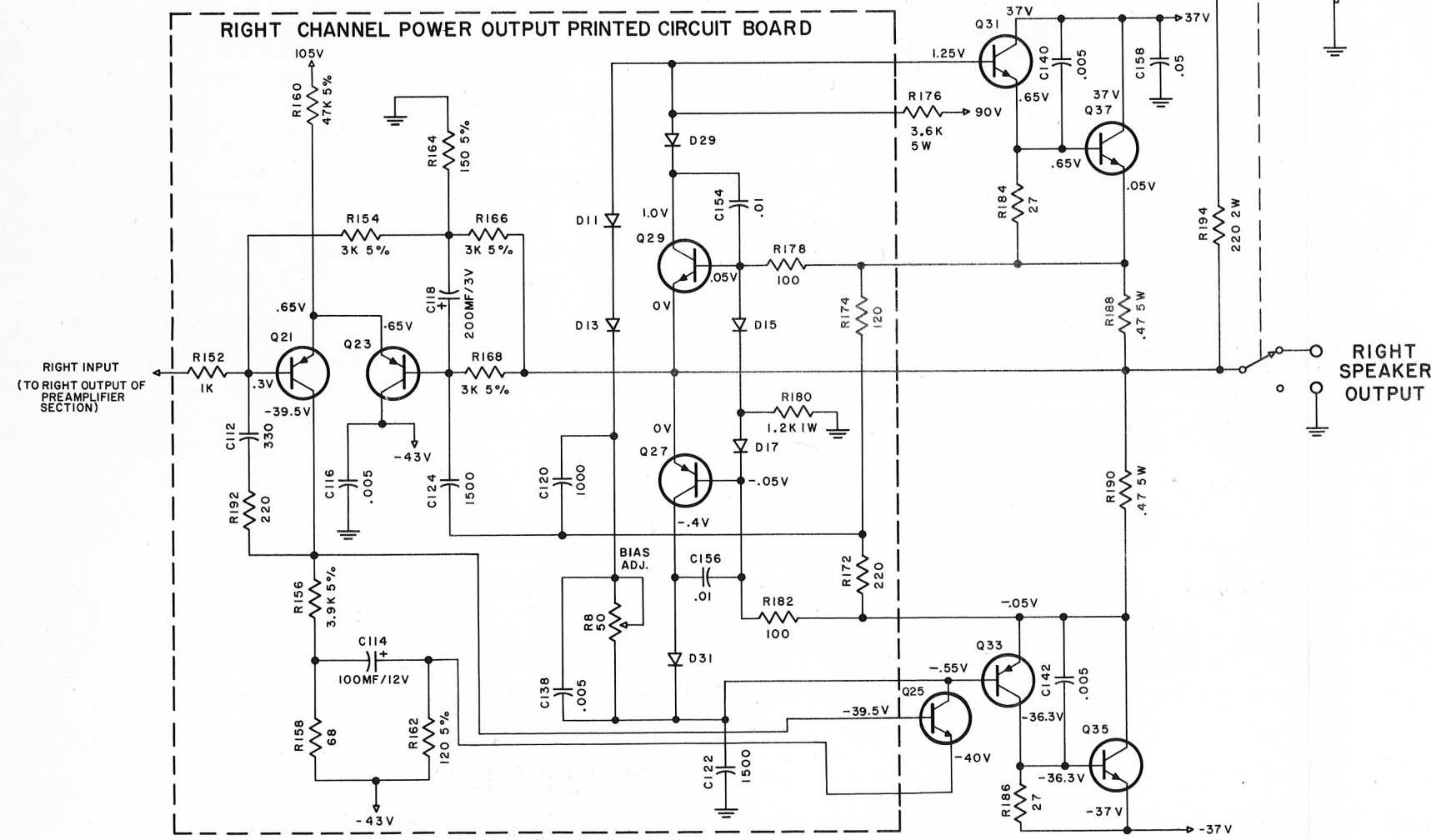
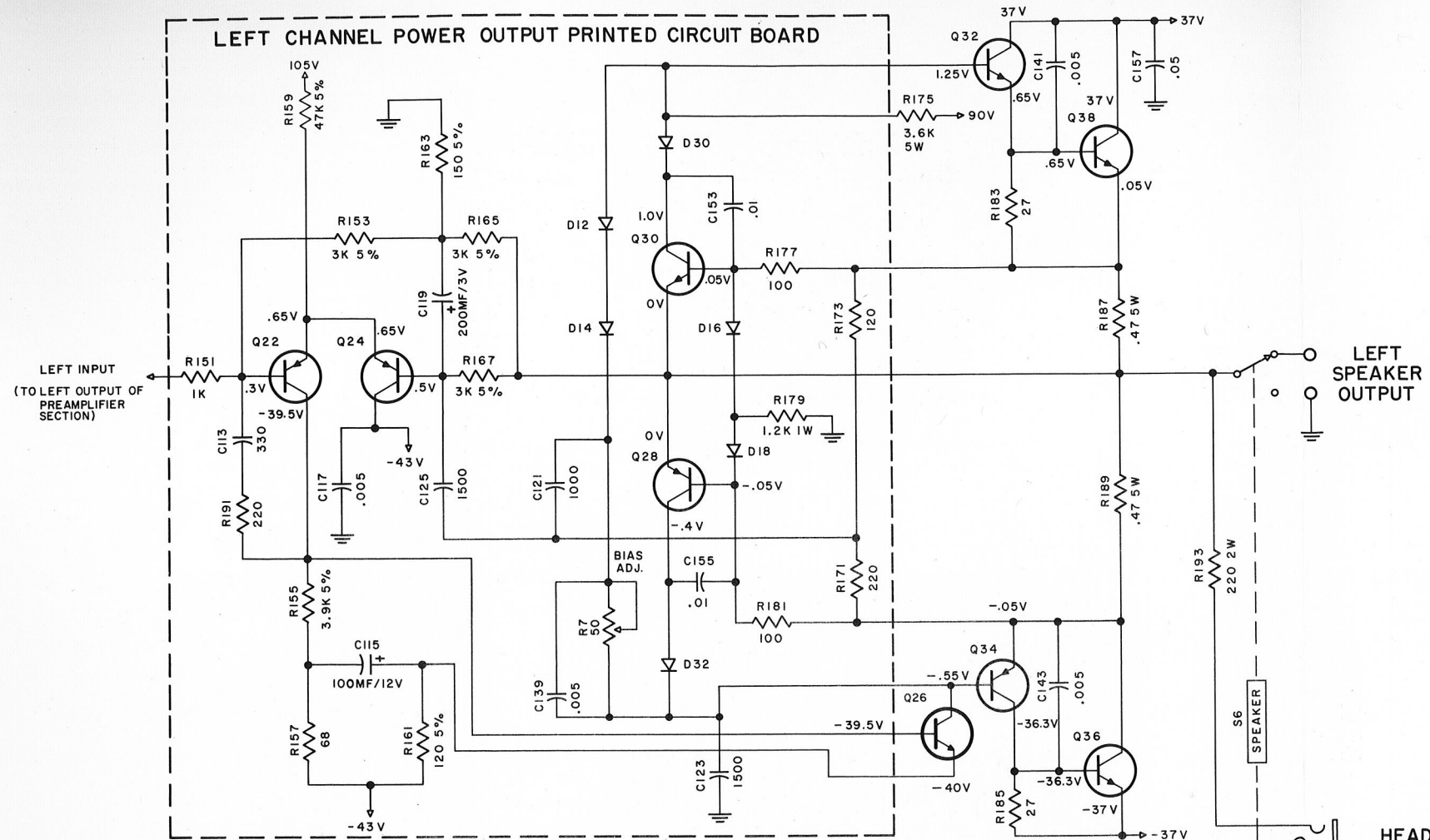
IF/MPX PRINTED CIRCUIT BOARD

IF / MPX CHASSIS OUTLINE



IF/MPX PRINTED CIRCUIT BOARD

McINTOSH LABORATORY INC.	
SCHEMATIC DIAGRAM	
IF/MPX SECTION MODEL MAC 1700 RECEIVER	
SCHEMATIC NO. 154-234	REVISION



McINTOSH LABORATORY INC.

SCHEMATIC DIAGRAM

POWER OUTPUT SECTION
MODEL MAC 1700 RECEIVER

SCHEMATIC NO. 154-232

REVISION